

BLUE-FILL®**MASTON**

BLUE FILL PREFILL

**DANGER**

BLUE FILL 1K

Genuine Blue-Fill® pre-filled spray can filled with propellant and solvents only. Use of specific Blue-Fill® filling machine is required in filling the can with paint. The features of the final product depend on the paint filled in the can and are at final fillers liability. Thanks to unique Blue-Fill® technology painting is possible from a distance of 15cm. The nozzle (red spot) can be adjusted in horizontal or vertical spraying position.

BLUE-FILL PREFILL 1K 400ML

ART NR 300001

BAR CODE 6412490022952

BLUE FILL 2K

Genuine Blue-Fill® pre-filled spray can filled with propellant, solvents, additives and converters. Specific compounds convert 2K topcoat paints as 1K topcoat, an air-drying paint. This makes it possible to fill 2K paint in the can by the final filler. Use of specific Blue-Fill® filling machine is required in filling the can with paint. The features of the final product depend on the paint filled in the can and are at final fillers liability. Thanks to unique Blue-Fill technology painting is possible from a distance of 15cm. The nozzle (red spot) can be adjusted in horizontal or vertical spraying position.

BLUE-FILL PREFILL 2K 400ML

ART NR 300002

BAR CODE 6412490022969

BLUE FILL WATERBASED

Use of specific Blue-Fill® filling machine is required in filling the can with paint. The features of the final product depend on the paint filled in the can and are at final fillers liability. Thanks to unique Blue-Fill technology painting is possible from a distance of 15cm. The nozzle (red spot) can be adjusted in horizontal or vertical spraying position.

BLUE-FILL PREFILL WATERBASED 400ML

ART NR 300003

BAR CODE 6412490027209

Maston Oy • www.maston.fi • maston@maston.fi

Teollisuustie 10, FI-02880 Veikkola, Finland, Tel. +358 20 7188 580, Fax +358 20 7188 599

Теоллисуостие 10, 02880 Вейккола, Финляндия, Тел. +358 20 7188 580, Факс. +358 20 7188 599





IDEAL FOR FILLING LIMITED QUANTITIES OF BLUE-FILL PRE-FILL CANS.

- EASY TO USE
- ECONOMICAL
- LOW MAINTENANCE
- SOLID CONSTRUCTION

BLUE-FILL PREFILL

CHECKLIST - WHEN UNPACKING THE SHIPPING CARTON, MAKE SURE THE FOLLOWING ITEMS ARE INCLUDED:

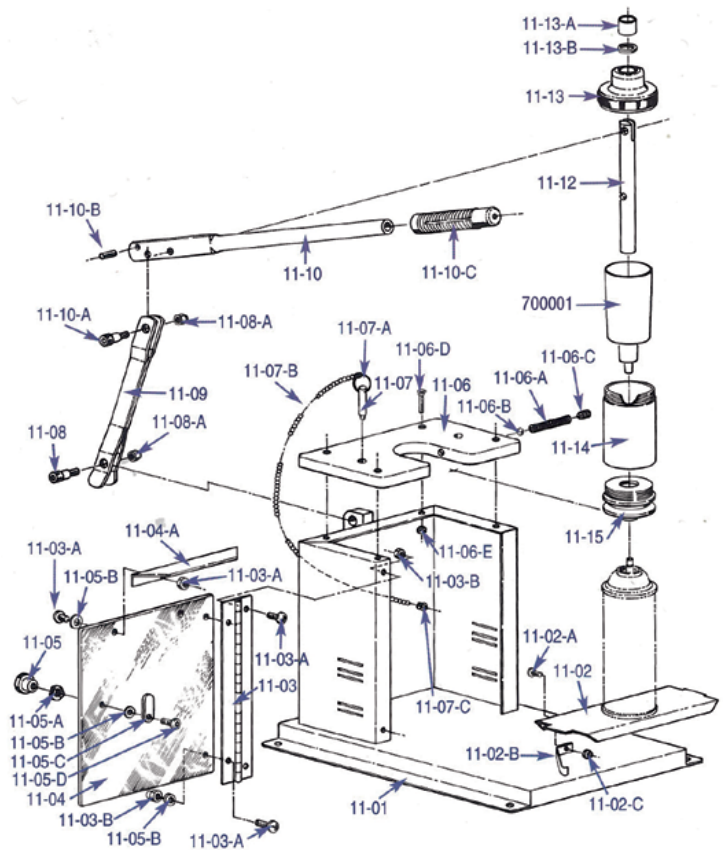
- Cabinet & Base (11-101)
- Plastic liners (700001)
- Pressing tool (814628)
- Shoulder Screw 1/4 x 3/4 (11-08)
- Lock Nut (11-08A)
- Handle (11-10)
- Piston (11-12)
- Cylinder (11-14)
- Check balls (700003)

1.

Using the enclosed bolt and locknut attach handle to the back of the base. Then tighten with enclosed hex wrench.

2.

It is necessary to assemble the handle link to the lug welded to the back of the machine. Before inserting the shoulder screw make sure the handle grip is pointing to the front of the machine toward the operator. The lock nut should be tightened onto the shoulder screw and then backed off 1/4 turn to allow free movement of the handle.



INSTRUCTIONS FOR FILLING

MASTON

1. INSERT LINER INTO THE CYLINDER.



2. PUSH ANY BLUE-FILL® CAN INTO THE CYLINDER WITH A CLOCKWISE TWISTING MOTION.

This step sizes the liner and must be done each time a new liner is used. If desired, the liner can be re-used after cleaning up to 100 times.



3. DROP A CHECK BALL INTO THE CYLINDER.

If a check ball is not used, the paint will run out when you remove the can. USE BLUE-FILL® CHECK BALLS ONLY.



4. INSERT THE CYLINDER INTO THE TOP PLATE OF UNIT.

Make sure that the cylinder is inserted properly (with can attached) into the top plate of unit. Push all the way back. Make sure the platform is locked in the proper height slot.

Pour paint into the cylinder. Assemble and tighten the top cap on its position. Close the door.



5. FILLING

Place the handle in the piston slot. Using the ring pin, align the holes and secure. You are now ready to fill the cans. Pump the paint, using firm strokes. Start with the handle as high as it will go, continuing until the piston hits bottom. Pause between strokes - with the handle up - to allow the paint to drain into the narrow part of the cylinder. You need to pump around 12 times to empty the cylinder. When the paint has been completely filled, there is not any push resistance left.



6. MOUNTING THE NOZZLE

Mount the nozzle by using the tool supplied in the package. Carefully slide the tool in the gap between the nozzle and the top lid. Push firmly down. You can feel and hear the nozzle sliding to its final position.

Do not push the top of the nozzle since paint will spray out.



Maston Oy • www.maston.fi • maston@maston.fi

Teollisuustie 10, FI-02880 Veikkola, Finland, Tel. +358 20 7188 580, Fax +358 20 7188 599

Teollisuustie 10, 02880 Вейккола, Финляндия, Тел. +358 20 7188 580, Факс. +358 20 7188 599

MASTON
TEHTY SUOMESSA
MADE IN FINLAND